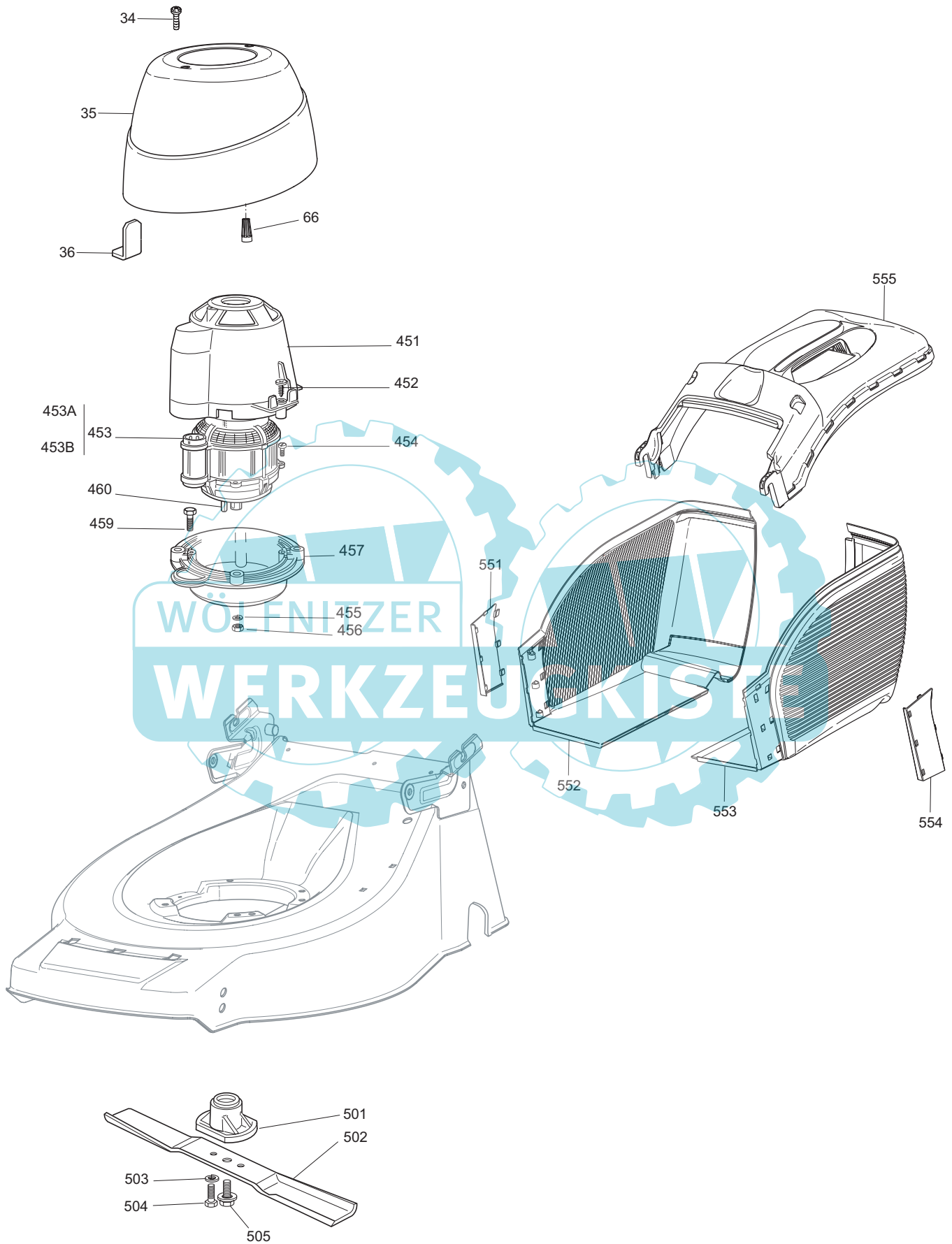




B108



Ausgabe Issue 2006- 1		Bild Nr Picture No B108		VARIOLUX 48 EC CHASSIE HOLM		VARIOLUX 48 EC CHASSIS HANDLE		Seite Page 26	
Pos. Fig.	Anzahl/Quantity				Artikel Nr. Part No	Bezeichnung	Description	Satz Kit	Anmerkung Notes
1	1				1136-1753-01	Gehäuse.....	Deck.....		
2	3				1136-0615-01	Schraube .....	Screw.....		
3	1				1136-1329-01	Schutz .....	Protection .....		
6	1				1136-0665-01	Gummiensatz.....	Rubber insert .....		
7	1				1136-1694-01	Haube .....	Cover .....		
8	2				1117-3226-01	Schraube .....	Screw.....		
9	3				1136-1458-01	Schraube .....	Screw.....		
10	2				9675-0012-02	Verriegelungsscheibe .....	Locking washer.....		
11	1				1136-1731-01	Stange .....	Rod .....		
12	1				1136-1723-01	Feder- links .....	Spring- LH.....		
13	1				1136-1724-01	Feder- rechts.....	Spring- RH .....		
14	1				1136-1698-01	Halter .....	Support.....		
15	1				1136-1736-01	Klappe .....	Rear flap .....		
16	2				1136-0061-01	Propfen.....	Cap.....		
17	1				1136-1761-01	Holm- Unterteil .....	Handle- lower .....		
18	2				1136-1765-01	Holmrohr .....	Handle tube .....		
19	1				1136-1764-01	Holm- Oberteil .....	Handle- upper.....		
20	1				1136-1716-01	Handgriff .....	Handgrip .....		
21	2				1136-1733-01	Bolzen .....	Pin .....		
22	2				9675-0012-02	Verriegelungsscheibe .....	Locking washer.....		
23	4				1136-1755-01	Hebel .....	Handle lever .....		
24	4				1136-1738-01	Scheibe.....	Washer .....		
25	4				1136-0309-01	Scheibe.....	Washer .....		
26	4				1136-1721-01	Schloßrad .....	Locking knob .....		
27	4				9799-0831-02	Mutter .....	Nut .....		
28	2				1136-1745-01	Gummistopfen.....	Cap.....		
29	2				1136-1709-01	Ringmutter .....	Ring nut .....		
30	2				1136-1708-01	Griff .....	Knob .....		
X 31	2				1136-1982-01	Schraube .....	Screw.....		
32	1				1136-1720-01	Griff- untere .....	Knob- lower .....		
33	1				1136-1719-01	Griff- obere .....	Knob- upper .....		
X 37	2				1136-1983-01	Schraube .....	Screw.....		
38	1				1136-1769-01	Schalter .....	Dead hand switch.....		
38	1				1136-1770-01	Schalter .....	Dead hand switch.....		die Schweiz
39	1				1136-1714-01	Gummistopfen.....	Cap.....		
40	1				1136-0662-01	Kabelbefestigung .....	Fairlead .....		
41	2				1136-0660-01	Bowdenzughalter .....	Anchor clamp.....		
X 51	4				1136-1982-01	Schraube .....	Screw.....		
58	3				1136-1692-01	Deckel .....	Cap.....		
64	1				1136-1713-01	Schutz .....	Protection .....		
65	1				1136-1711-01	Schutz .....	Protection .....		
67	1				1136-0661-01	Kabelbefestigung .....	Fairlead .....		
231	1				1136-1338-01	Deflektor.....	Deflector .....		

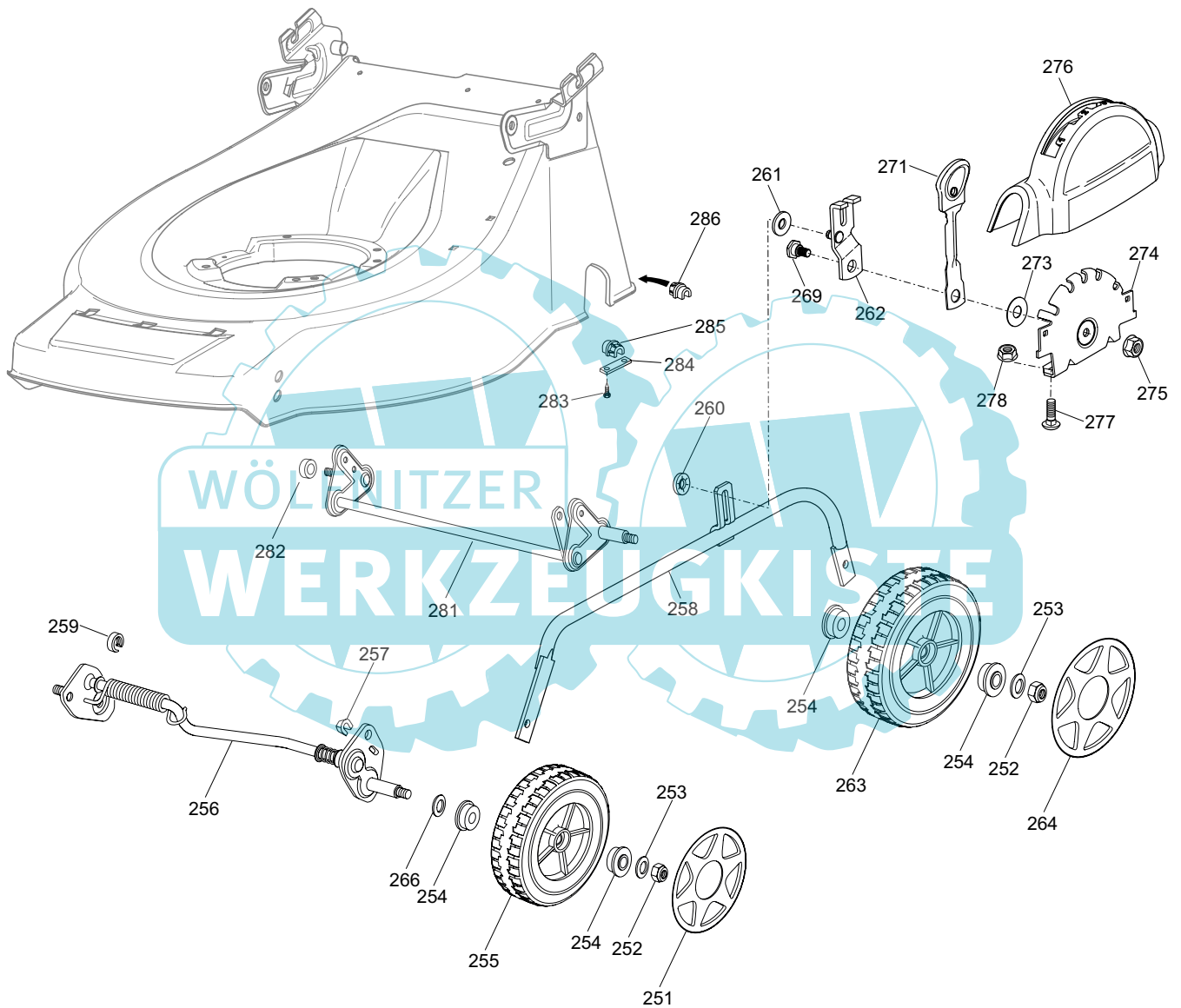


B110A



Ausgabe Issue		Bild Nr Picture No		VARIOLUX 48 EC MESSER GRASFANGKORB		VARIOLUX 48 EC BLADE GRASS BOX		Seite Page	
2006- 1		B110A						28	
Pos. Fig.	Anzahl/Quantity				Artikel Nr. Part No	Bezeichnung	Description	Satz Kit	Anmerkung Notes
34	2				1136-1683-01	Schraube .....	Screw .....		
35	1				1136-1691-01	Haube .....	Cover .....		
36	2				1136-1735-01	Platte .....	Plate .....		
66	2				1136-1704-01	Distanz .....	Spacer .....		
451	1				1136-1741-01	Haubenhalter .....	Cover support .....		
452	4				1136-1682-01	Schraube .....	Screw .....		
453	1				1136-1687-01	El. Motor .....	El. motor .....		Inkl. 453A - 453B
453 A	1				1136-1689-01	• Lüfter .....	• Fan .....		
453 B	1				1136-0626-01	• Kondensator .....	• Condensator .....		16 µF
454	4				9836-9635-12	Schraube .....	Screw .....		
455	4				9683-0030-02	Scheibe .....	Lock washer .....		
456	4				9799-0831-02	Mutter .....	Nut .....		
457	1				1136-1707-01	Flansch .....	Flange .....		
459	4				1136-0617-01	Schraube .....	Screw .....		
460	1				1136-1677-01	Keil .....	Key .....		
501	1				1136-1725-01	Messerhalter .....	Hub .....		
502	1				1111-9741-01	Messer .....	Blade .....		
503	2				9683-0030-02	Scheibe .....	Lock washer .....		
504	2				9997-0820-16	Schraube .....	Screw .....		
505	1				1111-9755-01	Blade bolt .....	Blade bolt .....		
551	1				1136-1729-01	Profil- rechts .....	Profile- RH .....		
552	1				1136-1727-01	Graskorb- rechts .....	Grassbox lower- RH .....		
553	1				1136-1728-01	Graskorb- links .....	Grassbox lower- LH .....		
554	1				1136-1730-01	Profil- links .....	Profile- LH .....		
555	1				1136-1726-01	Graskorb-Oberteil .....	Grassbox- upper .....		





B107



Ausgabe Issue 2006- 1		Bild Nr Picture No B107		VARIOLUX 48 EC RADAUFHÄNGUNG		VARIOLUX 48 EC WHEEL SUSPENSION		Seite Page 30	
Pos. Fig.	Anzahl/Quantity				Artikel Nr. Part No	Bezeichnung	Description	Satz Kit	Anmerkung Notes
251	2				1136-1701-01	Radkappe- grau .....	Hub cap- grey .....		
252	4				9747-0831-02	Mutter .....	Lock nut .....		
253	4				9699-0090-02	Scheibe .....	Flat washer .....		
254	8				1136-0655-01	Kugellager .....	Ball bearing .....		
255	2				1136-1520-01	Rad .....	Wheel .....		
256	1				1136-1357-01	Radachse- vorne .....	Wheel axle- front .....		
257	2				1136-0009-01	Schließplatte .....	Lock plate .....		
258	1				1136-1759-01	Höhenverstellstange .....	Height adjust rod .....		
259	1				1136-0658-01	Distanzring .....	Spacer .....		
260	1				9675-0009-02	Verriegelungsscheibe .....	Starlock .....		
261	1				1136-0006-01	Federscheibe .....	Elastic washer .....		
262	1				1136-1757-01	Halter .....	Attachment .....		
263	2				1136-0772-01	Rad .....	Wheel .....		
264	2				1136-1702-01	Radkappe- grau .....	Hub cap- grey .....		
266	4				1136-0609-01	Elastische Scheibe .....	Elastic washer .....		
269	1				1136-1732-01	Schulterschraube .....	Shoulder bolt .....		
271	1				1136-1756-01	Höhenverstellhebel .....	Height adjust lever .....		
273	1				1136-0089-01	Scheibe .....	Washer .....		
274	1				1136-1740-01	Sektor .....	Height adjust sector .....		
275	1				9739-0831-22	Mutter .....	Nut .....		
276	1				1136-1693-01	Deckel .....	Cover .....		
277	2				9898-0616-16	Schraube .....	Screw .....		
278	2				9739-0631-22	Mutter .....	Nut .....		
281	1				1136-0729-01	Hinterradachse .....	Rear wheel axle .....		
282	1				1136-0657-01	Distanzring .....	Spacer .....		
283	4				9847-8119-16	Schraube .....	Screw .....		
284	2				1136-0681-01	Platte .....	Plate .....		
285	1				1136-0636-01	Buchse- links .....	Bush- LH .....		
286	1				1136-0635-01	Buchse- rechts .....	Bush- RH .....		